



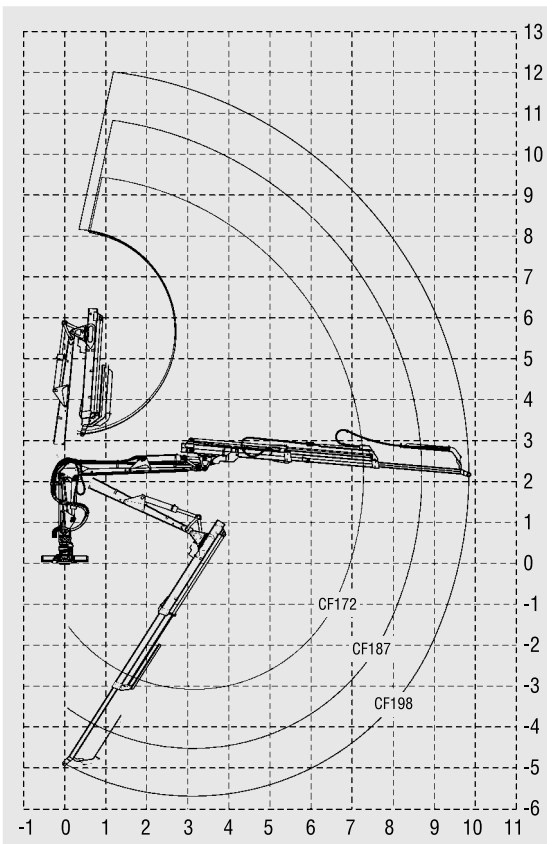
WARATAH

CF1

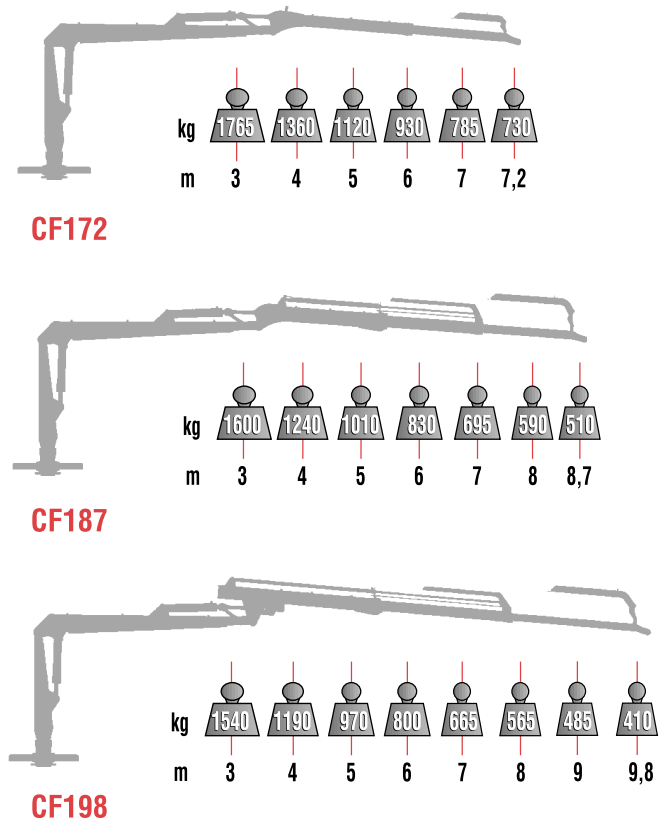
FORWARDER CRANE



OUTREACH DIAGRAM:



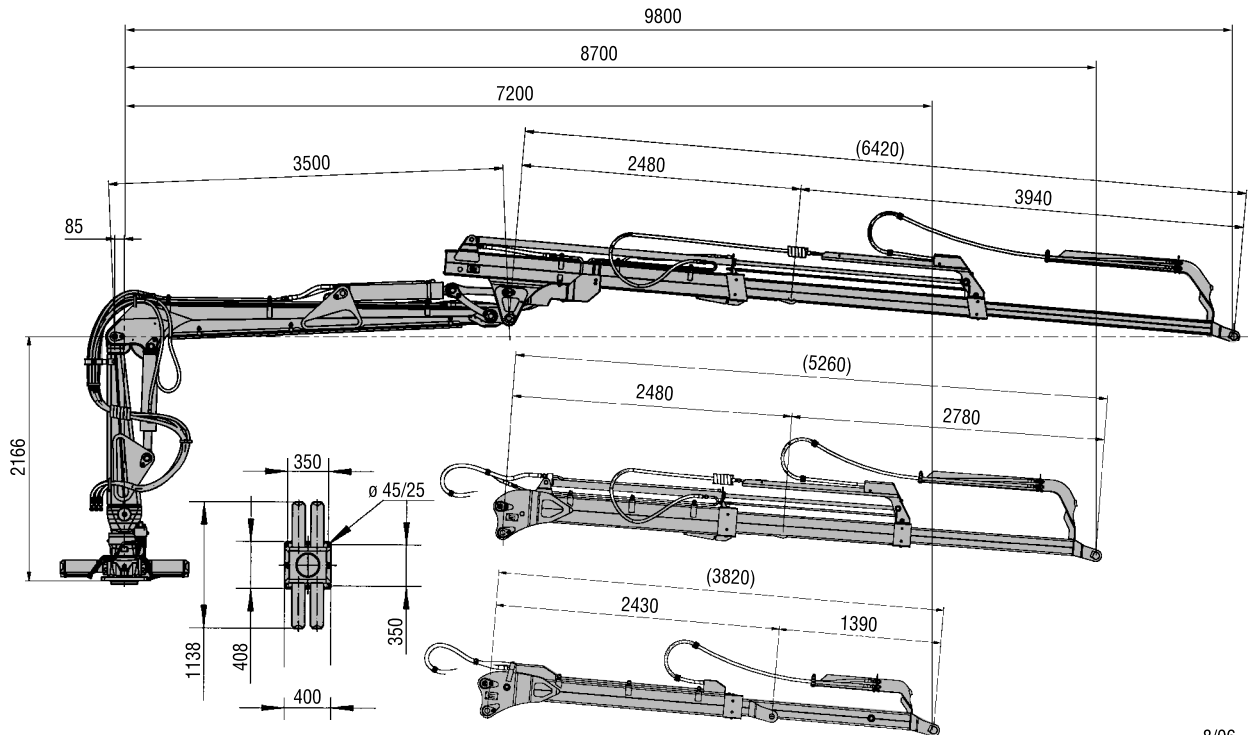
CAPACITY DIAGRAM (allowable loads):



TECHNICAL DATA:

		CF172	CF187	CF198
Lifting moment, gross	kNm	76	76	76
Max. load	kg	730	510	410
Outreach	mm	7200	8700	9800
Stroke of boom extension	mm	1390	2780	3940
Slewing torque, gross	kNm	19	19	19
Slewing angle	°	380	380	380
Weight (without oil, link and grapple)	kg	1220	1340	1400
Pump recommendation				
Max. working pressure	MPa	24	24	24
Oil flow	l/min	60-80	60-80	60-80
Power input	kW	27-36	27-36	27-36

MAIN DIMENSIONS:



8/06

We reserve the right to amend these specifications at any time without notice. The only warranty provided by Waratah Forestry Attachments is its written Limited Warranty, which accompanies and applies to each product sold by Waratah Forestry Attachments. Waratah disclaims responsibility or liability for any economic loss or personal injury that may occur as a result of any changes to a Waratah product that have not been approved by Waratah

as a result of the non-approved inclusion on any Waratah product of any equipment not of Waratah's design or manufacture. Not all products are available in all markets. The manufacturer reserves the right to make changes or add improvements at any time without incurring any obligation to make such changes on machines manufactured previously.