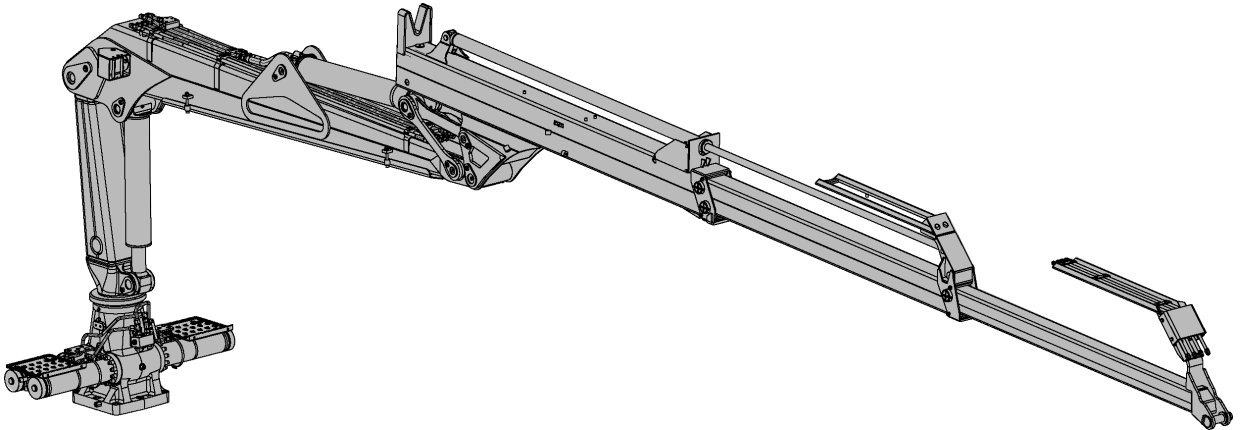




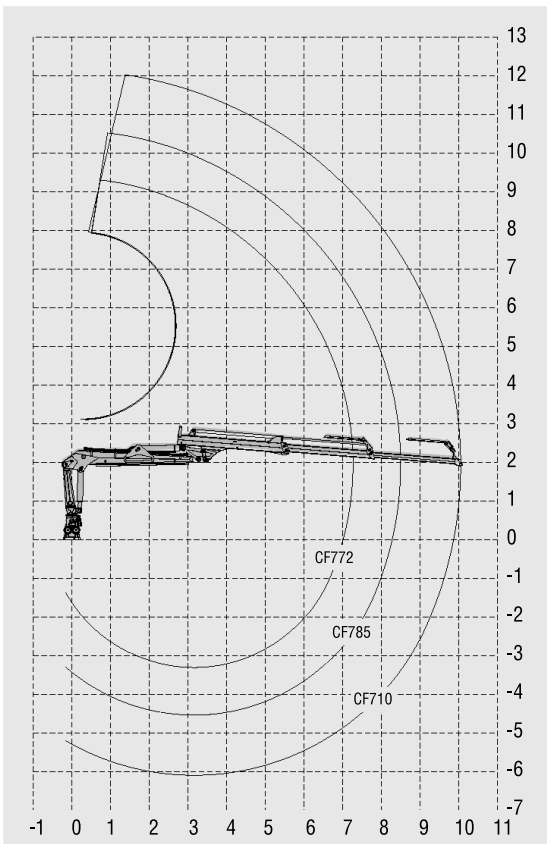
WARATAH

CF7

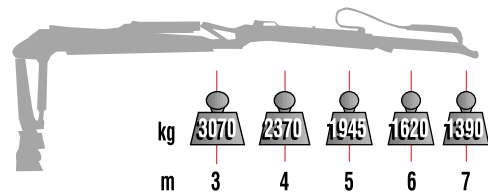
FORWARDER CRANE



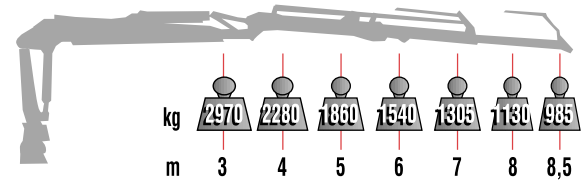
OUTREACH DIAGRAM:



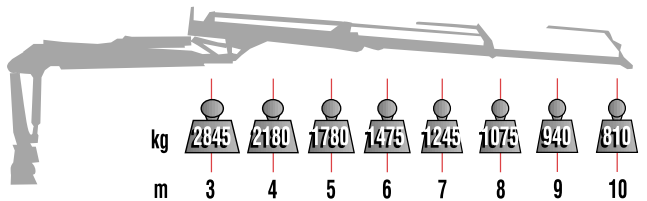
CAPACITY DIAGRAM (allowable loads):



CF772



CF785

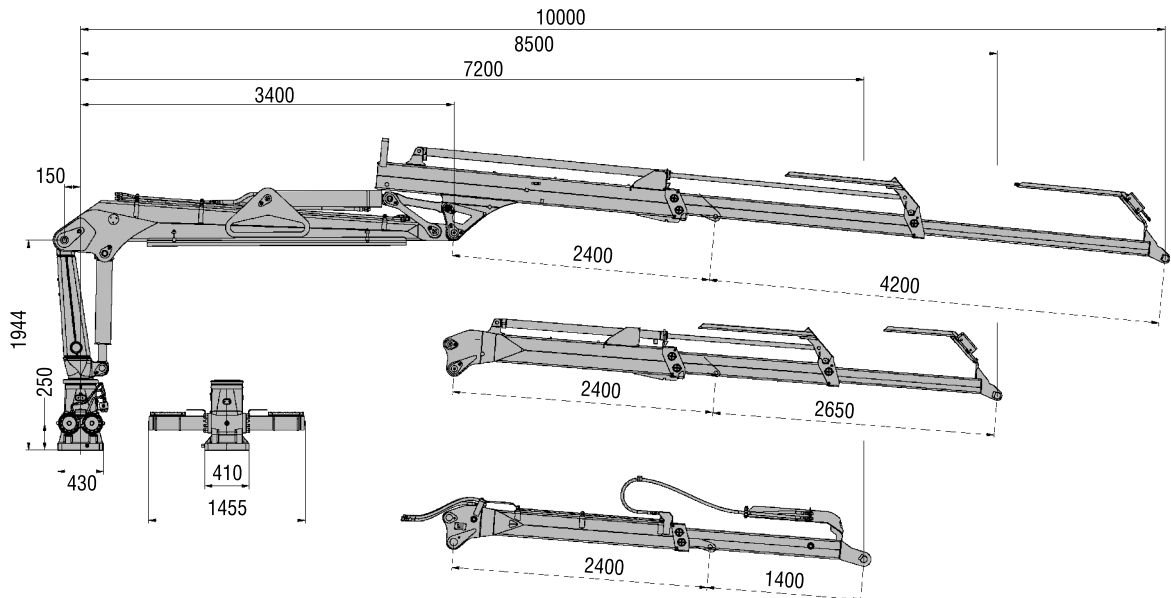


CF710

TECHNICAL DATA:

		CF772	CF785	CF710
Lifting moment, gross	kNm	125	125	125
Max. load	kg	1390	985	810
Outreach	mm	7200	8500	10000
Stroke of boom extension	mm	1400	2650	4200
Slewing torque, gross	kNm	32	32	32
Slewing angle	°	380	380	380
Weight (without oil, link and grapple)	kg	1510	1630	1735
Pump recommendation				
Max. working pressure	MPa	24	24	24
Oil flow	l/min	80-100	80-100	80-100
Power input	kW	32-40	32-40	32-40

MAIN DIMENSIONS:



8/06

We reserve the right to amend these specifications at any time without notice. The only warranty provided by Waratah Forestry Attachments is its written Limited Warranty, which accompanies and applies to each product sold by Waratah Forestry Attachments. Waratah disclaims responsibility or liability for any economic loss or personal injury that may occur as a result of any changes to a Waratah product that have not been approved by Waratah

as a result of the non-approved inclusion on any Waratah product of any equipment not of Waratah's design or manufacture. Not all products are available in all markets. The manufacturer reserves the right to make changes or add improvements at any time without incurring any obligation to make such changes on machines manufactured previously.